



HEBEI QIANLI RUBBER PRODUCTS CO., LTD.

Silicone Hose



Silicone Hose Handles Pressure Applications

Temperature Extremes

Company profile

HEBEI QIANLI RUBBER PRODUCTS CO., LTD. is a technical company, which focus on researching, developing, manufacturing and exporting rubber hoses and related products. Located in Jing County West industrial zone, our company covers an area of 40 thousand square meters and have an 30 million investment scale.

QIANLI has been endeavoring to improve silicone hoses quality to meet customers' requirements. All of the silicone hoses are reinforced except vacuum silicone hose which is extruded from silicone rubber. Our products have a wide distribution: from automobiles to marines, from agriculture to industry, from home to abroad. Wherever they are used, silicone hoses will not disappoint you, because all of them have passed a series of strict tests.

Our company concentrates on these products: elbow silicone hoses (from 15 degrees to 180 degrees), reducers-straight (45 and 90 degrees), hump hose, marine hose, super flex silicone hose, straight hose, T piece connector. In addition, there are stainless steel T-Bolt clamps in stock, which are designed to fix hoses to hard pipes. We sincerely invite friends from all over the world for win-win cooperation, and contact us without any hesitation if you have any question.

Silicone Hose Handles Pressure Applications & Temperature Extremes

Silicone hose solves application requirements that many other plastic or rubber materials cannot, namely combining temperature usage with flexibility.

Silicone hoses are not made of 100% silicone rubber. They often use reinforcements or special liner to improve their working performance. Polyester, Nomex (aramid) or Fluoro are the frequent materials. Polyester and Nomex are used to improve their performance in flexibility and high burst resistance, while Fluoro is engineered to carry oils and fuel.

Silicone hoses have low thermal conductivity, low chemical reactivity, high thermal stability, flexibility and UV-resistance. It still maintains good performance under extreme temperatures where black rubber hoses don't work. All of these characters contribute to wide applications. There is a trend that silicone hose will replace black rubber hose in some places, such as turbocharger, air intake, intercooler, etc.

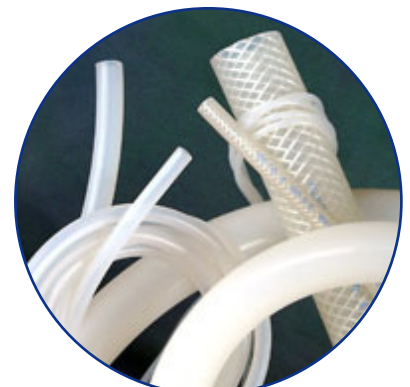
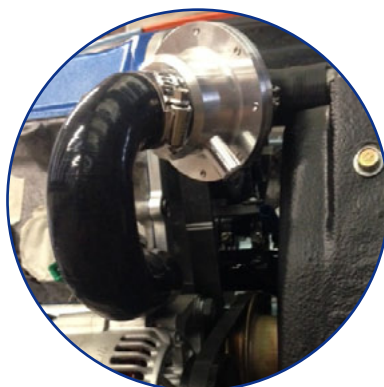


Table of contents



01 Home page	SILICONE HOSE	
	Straight Silicone Hose	04
	Coupling Hose	05
	Flexible Silicone Hose	06
02 Company profile	Silicone Vacuum Hose	07
	Silicone Straight Reducer Hose	08
	Silicone Reducer Elbow Hose	10
	Elbow Silicone Hose	12
	T Silicone Hose	15
	Silicone Hump Hose	16
	Silicone Heater Hose	17
03 Contents	Food Grade Silicone Hose	18
	Medical Silicone Hose	19
	Silicone Braided Hose	20
	PARTS	
	Hose Clamp - T-Bolt Clamp	21
04 Products Information	Silicone Seal	21

Straight Silicone Hose

Owing to high quality raw materials and fabrics, our straight silicone hoses with small diameters enjoy excellent flexibility and can make various bend radiuses. It is frequently used for water connecting, breathers, heater matrix, etc. Bigger diameters are allowed to cut to any lengths.

Construction

Inner: Silicone or Fluorosilicone.

Cover: Silicone.

Reinforce ply: 4 ply.

Reinforce: Polyester / Aramid / Glass fiber.

Temperature: -40 °C to +200 °C.



Features

- Translucent natural silicone tube color for visual contact with the flow of liquid.
- Resilient, stretchable silicon tubing material, and resistant to compression set.
- Flexible silicone hoses are odorless, tasteless, and inert.
- Good electrical and weatherability properties - resistant to U.V., ozone, gases, and moisture.

Application

- Coolant hose for individual machinery and equipment.
- Pipes and connecting hose for food and beverage processing.
- Medical equipment.
- Chemical and adhesive filling systems.
- Thin will permeable hose for diffusion membranes.
- Alternative hardness for hose wall and top coating.
- Special elastomeric formulation for custom applications.

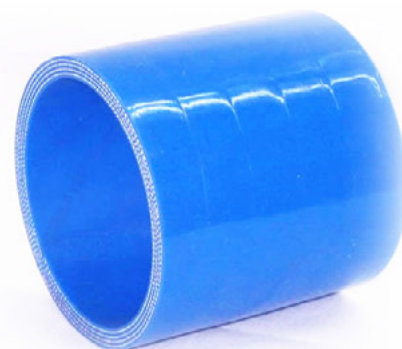
Specification - straight silicone hose

I.D		O.D	Thickness	Burst Pressure	Length
inch	mm	mm	mm	MPa	mm
1/4	6	16	5	3.5	1000
3/8	10	20	5	2.9	1000
1/2	13	23	5	2.7	1000
5/8	16	26	5	2.4	1000
3/4	19	29	5	2.2	1000
7/8	22	32	5	2.1	1000
1	25	35	5	2	1000
1-1/2	38	48	5	1.5	1000
2	51	61	5	1.2	1000
2-1/2	63	73	5	1	1000
3	76	86	5	0.8	1000
3-1/2	89	99	5	0.6	1000
4	102	112	5	0.5	1000

Note:The thickness, length and color can vary according to your requirement.

Coupling Hose

Straight Silicone Coupling Hose is made of high flame-resistance silicone rubber reinforced by 3 to 5 plies premium polyester fabrics. This straight coupling is engineered for extreme temperatures and various pressure ranges. Hose coupling is often used for joining two rigid pipes to prevent connections between them coming apart or having your hard pipes or other related equipment broken.



Construction

Inner: Silicone or Fluorosilicone.

Cover: Silicone.

Reinforce ply: 4 ply.

Reinforce: Polyester / Aramid / Glass fiber.

Temperature: -40 °C to +200 °C.

Application

Coupling hose can be found in high performance racing vehicles, commercial truck and bus, marine, agricultural and off highway vehicles, turbo diesel and other manufacturing industries.

Specification - straight silicone coupling hose

I.D		O.D	Thickness	Burst Pressure	Length
inch	mm	mm	mm	MPa	mm
1/4	6	16	5	3.5	100
3/8	10	20	5	2.9	100
1/2	13	22	5	2.7	100
5/8	16	26	5	2.4	100
3/4	19	29	5	2.2	100
7/8	22	32	5	2.1	100
1	25	35	5	2	100
1-1/2	38	48	5	1.5	100
2	51	61	5	1.2	100
2-1/2	63	73	5	1	100
3	76	86	5	0.8	100
3-1/2	89	99	5	0.6	100
4	102	112	5	0.5	100

Note:The thickness, length and color can vary according to your requirement.

Flexible Silicone Hose

Flexible silicone hose, manufactured with a steel wire spiral in-plant inside the reinforcement plies, has an excellent flexibility and can withstand higher pressure.



Construction

Inner: Silicone or Fluorosilicone.

Cover: Silicone.

Reinforce ply: 4 ply.

Reinforce: Polyester / Aramid / Glass fiber.

Application

Breathers, water hoses, heater matrix, top and bottom radiator connections, etc.

Specification - flexible silicone hose

I.D		O.D	Thickness	Outer finish	Length
inch	mm	mm	mm		mm
1/2	13	21	4	Smooth	1000
5/8	16	24	4	Smooth	1000
3/4	19	27	4	Smooth	1000
7/8	22	30	4	Smooth	1000
1	25	33	4	Smooth	1000
1-1/8	28	36	4	Smooth	1000
1-1/4	32	40	4	Castellated	1000
1-3/8	35	43	4	Castellated	1000
1-1/2	38	46	4	Castellated	1000
2	51	61	5	Castellated	1000
2-1/2	63	73	5	Castellated	1000

Note:

- The thickness, length and color can vary according to your requirement.
- Silicone hoses are not compatible with oils and fuel.
- For 51 mm plus internal diameters, they are not as flexible as the smaller diameters. It is suitable for mild angles, not for tight angles.

Silicone Vacuum Hose

Silicone vacuum hose is extruded from silicone rubber with unreinforced construction. Silicone rubber has a lot of good properties, including low chemical reactivity, low thermal conductivity, high thermal stability and excellent resistance to oxygen, ozone and UV. All these properties contribute to good performances within extreme temperatures.



Construction

Inner: Only silicone, no reinforcement.

Temperature: -40 °C to +200 °C.

Application

- Replace any rubber hose in your engine bay.
- Installation of turbo parts, like your boost gauge, blow off valve or wastegate.
- Improve the appearance of your engine.

Specification - silicone vacuum hose

I.D		Thickness	Length
inch	mm	mm	mm
1/2	13	4	1000
5/8	16	4	1000
3/4	19	4	1000
7/8	22	4	1000
1	25	4	1000
1-1/8	28	4	1000
1-1/4	32	4	1000
1-3/8	35	4	1000
1-1/2	38	4	1000
2	51	5	1000
2-1/2	63	5	1000

Note: The thickness, length and color can vary according to your requirement.

Silicone Straight Reducer Hose

Straight silicone reducer is used as a transition between two pipes of different sizes. It is widely applied for transition between intercooler turbo, intake components and pipes, all of which are different sized.



Construction

- 3 to 5 plies polyester reinforced.
- UV and ozone resistant.
- Silicone liner creates barrier to isolate media.

Remark: Silicone reducer reinforced by polyester is not compatible with oils & fuel.

Application

- It can join your intake pipe to the throttle body assembly, air metering assembly, intercooler, or turbo inlet/outlet.
- Custom compressor, intercooler or inlet piping for turbo/supercharged car.
- Custom cold air intake for no turbo car.
- Replacement of all factory rubber parts.
- These silicone parts can be used in trucks, recreational vehicles, boats, or anything else with an engine.

Specification - silicone straight reducer hose

I.D mm	Plies	Thickness mm	Length	
			mm	inch
10 to 8	3	4	100	4
13 to 8	3	4	100	4
13 to 10	3	4	100	4
16 to 8	3	4	100	4
16 to 13	3	4	100	4
19 to 13	3	4	100	4
19 to 16	3	4	100	4
22 to 16	3	4	100	4
22 to 19	3	4	100	4
25 to 16	3	4	100	4
25 to 19	3	4	100	4
32 to 19	3	4	100	4
32 to 25	3	4	100	4

I.D	Plies	Thickness	Length	
			mm	inch
35 to 25	3	4	100	4
35 to 32	3	4	100	4
38 to 25	3	4	100	4
38 to 32	3	4	100	4
38 to 35	3	4	100	4
44 to 38	3	4	100	4
51 to 38	4	5	100	4
51 to 44	4	5	100	4
54 to 51	4	5	100	4
57 to 51	4	5	100	4
57 to 54	4	5	100	4
60 to 51	4	5	100	4
60 to 54	4	5	100	4
63 to 51	4	5	100	4
63 to 54	4	5	100	4
63 to 60	4	5	100	4
70 to 51	4	5	100	4
70 to 60	4	5	100	4
70 to 63	4	5	100	4
76 to 51	4	5	100	4
76 to 60	4	5	100	4
76 to 63	4	5	100	4
76 to 70	4	5	100	4
80 to 70	4	5	100	4
80 to 76	4	5	100	4
83 to 76	4	5	100	4
85 to 65	4	5	100	4
89 to 70	4	5	100	4
89 to 76	4	5	100	4
102 to 76	5	6	100	4
102 to 89	5	6	100	4
127 to 102	5	6	100	4

Note: Other sizes could be customized.

Silicone Reducer Elbow Hose

You can use Silicone Reducer Elbow Hose couplers for basic replacements for your factory hoses or for your custom turbo or supercharger charge piping setup.



Application

- Traffic and transportation, automobile (engine water cooling, air cooling, air intake, exhaust and turbo charging system), the application of shipbuilding industry.
- Radio, electrical, telecommunications industry.
- Instrument industry.
- The aviation industry.
- Applicable to household appliances, lighting, medical, beauty salons equipment.

» » » 45 Degree Silicone Reducer



45 Degree Silicone Reducer

Specification - 45 degree silicone reducer				
I.D mm	Layers	Thickness mm	Length	
			mm	inch
32 to 25	3	4	102 × 102	4 × 4
38 to 32	3	4	102 × 102	4 × 4
63 to 51	4	5	102 × 102	4 × 4
76 to 63	4	5	102 × 102	4 × 4
102 to 76	5	6	125 × 125	5 × 5

Note: The thickness, length and color can vary according to your requirement.

» » » **90 Degree Silicone Reducer**



90 Degree Silicone Reducer

Specification - 90 degree silicone reducer			
I.D	Layers	Thickness	Length
mm		mm	mm
19 to 13	4	3	102 × 102
19 to 16	4	3	102 × 102
22 to 16	4	3	102 × 102
22 to 19	4	3	102 × 102
25 to 19	4	3	102 × 102
32 to 19	4	3	102 × 102
32 to 25	4	3	102 × 102
35 to 22	4	3	102 × 102
35 to 25	4	3	102 × 102
35 to 32	4	3	102 × 102
38 to 25	4	3	102 × 102
38 to 32	4	3	102 × 102
38 to 35	4	3	102 × 102
44 to 38	4	3	102 × 102
51 to 44	5	4	102 × 102
54 to 51	5	4	102 × 102
57 to 54	5	4	102 × 102
60 to 51	5	4	102 × 102
63 to 51	5	4	102 × 102
63 to 54	5	4	102 × 102
63 to 54	5	4	102 × 102
70 to 51	5	4	125 × 125
70 to 60	5	4	125 × 125
70 to 63	5	4	125 × 125
76 to 51	5	4	125 × 125
76 to 60	5	4	125 × 125
76 to 63	5	4	125 × 125
76 to 70	5	4	125 × 125
89 to 76	5	4	125 × 125
102 to 76	6	5	125 × 125
102 to 89	6	5	125 × 125

Elbow Silicone Hose

Elbow silicone hose, reinforced by polyester, is very effective for carrying air, water, coolant, or sprayed by small amount of oil mist. It is often be found in vehicle cooling systems like cold sides of intercooler air hoses and general industrial application.

Construction

Inner: Silicone or Fluorosilicone.

Cover: Silicone.

Reinforce ply: 4 ply.

Reinforce: Polyester / Aramid / Glass fiber.

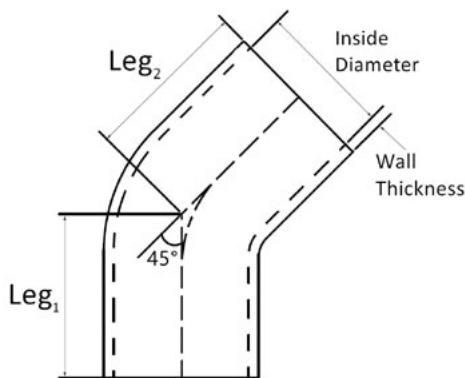
Temperature: -40 °C to +200 °C.



Application

- It can join your intake pipe to the throttle body assembly, air metering assembly, intercooler, or turbo inlet/outlet.
- Custom compressor, intercooler or inlet piping for turbo/supercharged car.
- Custom cold air intake for no turbo car.
- Replacement of all factory rubber parts.
- These silicone parts can be used in trucks, recreational vehicles, boats, or anything else with an engine.

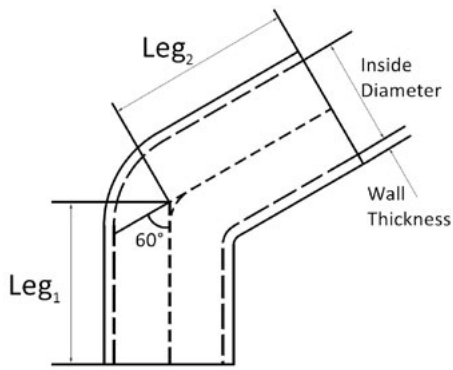
» » » 45 Degree Elbow Silicone Hose



Specification - 45 degree elbow silicone hose

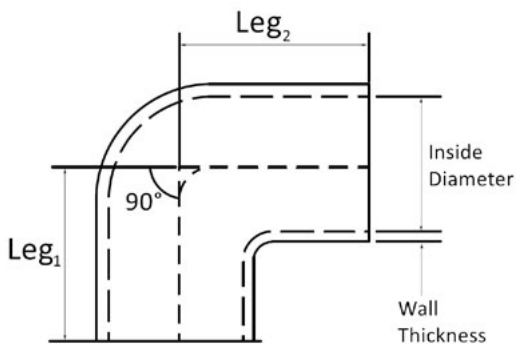
I.D		O.D	Thickness	Max. Burst Pressure	Length
inch	mm	mm	mm	MPa	mm
1/4	6	16	5	3.5	100 × 100
3/8	10	20	5	2.9	100 × 100
1/2	13	23	5	2.7	100 × 100
5/8	16	26	5	2.4	100 × 100
3/4	19	29	5	2.2	100 × 100
7/8	22	32	5	2.1	100 × 100
1	25	35	5	2	100 × 100
1-1/2	38	48	5	1.5	100 × 100
2	51	61	5	1.2	100 × 100
3	76	86	5	0.8	100 × 100
3-1/2	89	99	5	0.6	100 × 100
4	102	112	5	0.5	100 × 100

» » » 60 Degree Elbow Silicone Hose



Specification - 60 degree elbow silicone hose				
I.D		Wall	O.D	Leg Length
inch	mm	mm	mm	mm
3/4	19	5	29	102 × 102
1	25	5	35	102 × 102
1-1/4	32	5	42	102 × 102
1-3/8	35	5	45	102 × 102
1-1/2	38	5	48	102 × 102
2	51	5	61	102 × 102
2-1/2	63	5	73	102 × 102
3	76	5	86	102 × 102

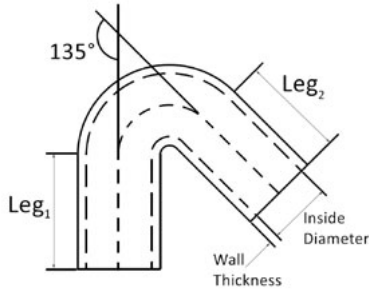
» » » 90 Degree Elbow Silicone Hose



Specification - 90 degree elbow silicone hose					
I.D		Thickness	O.D	Max. Burst Pressure	Leg Length
inch	mm	mm	mm	MPa	mm
1/4	6	5	16	3.5	100 × 100
3/8	10	5	20	2.9	100 × 100
1/2	13	5	23	2.7	100 × 100
5/8	16	5	26	2.4	100 × 100
3/4	19	5	29	2.2	100 × 100
7/8	22	5	32	2.1	100 × 100
1	25	5	35	2	100 × 100
1-1/2	38	5	48	1.5	100 × 100
2	51	5	61	1.2	100 × 100
3	76	5	86	0.8	100 × 100
3-1/2	89	5	99	0.6	100 × 100
4	102	5	112	0.5	100 × 100

Note: The thickness, length and color can vary according to your requirement.

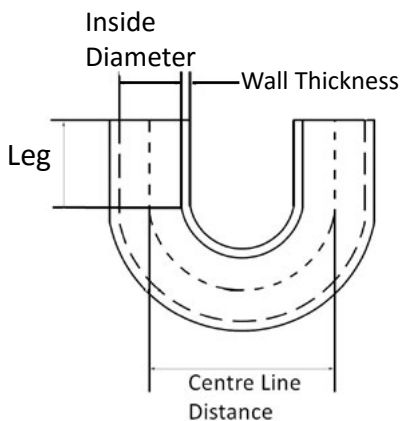
» » » 135 Degree Elbow Silicone Hose



Specification - 135 degree elbow silicone hose

I.D		Thickness	O.D	Max. Burst Pressure	Leg Length
inch	mm	mm	mm	MPa	mm
1/4	6	5	16	3.5	100 × 100
3/8	10	5	20	2.9	100 × 100
1/2	13	5	23	2.7	100 × 100
5/8	16	5	26	2.4	100 × 100
3/4	19	5	29	2.2	100 × 100
7/8	22	5	32	2.1	100 × 100
1	25	5	35	2	100 × 100
1-1/2	38	5	48	1.5	100 × 100
2	51	5	61	1.2	100 × 100
3	76	5	86	0.8	100 × 100
3-1/2	89	5	99	0.6	100 × 100
4	100	5	110	0.5	100 × 100

» » » 180 Degree Elbow Silicone Hose



Specification - 180 degree elbow silicone hose

I.D		Thickness	O.D	Leg Length
inch	mm	mm	mm	mm
5/16	8	5	18	100 × 100
3/8	10	5	20	100 × 100
1/2	13	5	23	100 × 100
5/8	16	5	26	100 × 100
3/4	19	5	29	100 × 100
1	25	5	35	100 × 100
1-1/4	32	5	42	100 × 100
1-1/2	38	5	48	100 × 100
1-3/4	45	5	55	100 × 100
2	51	5	61	100 × 100
2-1/2	64	5	74	100 × 100
3	76	5	86	100 × 100

T Silicone Hose

T silicone hose connector features two different inner diameters - the main body and the take off. This structure makes it an effective transition of different sizes of pipes. It is widely used in pump valve fittings and breather hose connectors. It has been designed to allow the integration of an additional outlet being plumbed into an engine system.



Features

- Polyester or nomex reinforcement offers high temp and pressure than original rubber hose.
- Resistant to corrosion, low temperature, anti-ozone, oil, etc.
- Various colours and sizes for choice.
- High performance ratings with excellent reliability in all conditions.
- Easy to replace, cut and adapt to your piping needs.

Specification - T silicone hose

Main Body I.D		Take-Off I.D	Thickness	Length
inch	mm	mm	mm	mm
1-1/4	32	12	4	150
1-1/2	38	16	4	150
1-1/2	38	25	4	150
2	51	25	5	150
2-1/2	63	25	5	150
3	76	25	5	150

Silicone Hump Hose

Silicone hump hose has a bulge in it that is designed to allow the joint to flex. Silicone hump hose allows for expansion and movement between pipes. By allowing a little flex in things you have less chance of pulling connections loose and there is less stress on the rest of the piping. They also allow for slight misalignment between pipes.

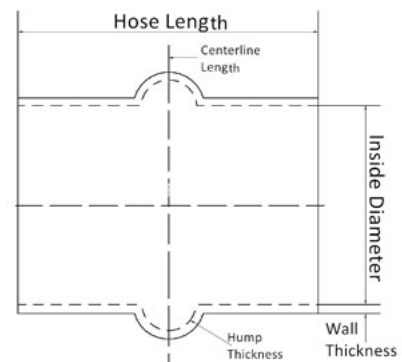
Construction

Inner: Silicone or Fluorosilicone.

Cover: Silicone.

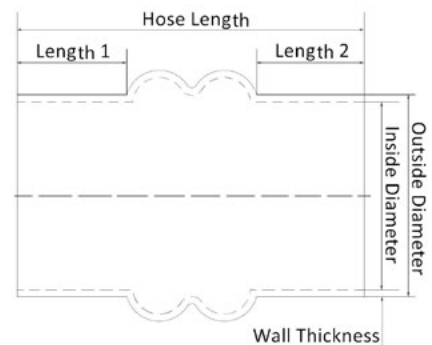
Reinforce ply: 4 ply or 3 ply.

Reinforce: Polyester / Aramid / Glass fiber.



Single hump silicone hose

Specification - silicone hump hose				
I.D		Thickness	O.D	Length
inch	mm	mm	mm	mm
1-1/4	32	5	42	200
1-1/2	38	5	48	200
1-3/4	45	5	55	200
2	51	5	61	200
2-1/2	63	5	73	200
3	76	5	86	200
3-1/2	89	5	99	200
4	102	5	112	200
4-1/2	114	5	124	200
5	127	5	137	200
10	250	10	270	500
14	350	10	370	500



Double hump silicone hose

Silicone Heater Hose

Silicone heater hose is shiny and easier to clean. It is more resistant to chemicals, pressure and heat, and is more resistant to degradation and cracking compared to rubber heater hose. This silicone heater hose is also especially suited to running coolant lines to and from a turbocharger, where the coolant, surrounding air temperature, and metal attachment point might be much hotter than regular coolant passages.



Features

- High temperature tolerance (-60 °C to 250 °C).
- Superior corrosion resistance.
- Excellent abrasion resistance.
- Perfect thermal conductivity.

Application

Widely used in household appliances (kettle, rice cooker, drinking fountain, bread toaster, water heater, etc.), medical equipments, electronic equipments, food, machinery etc.

Specification - silicone heater hose

I.D		O.D	W.P	B.P	Min B.R
inch	mm	mm	bar	bar	mm
1/2	13	24	25	75	39
5/8	16	27	21	63	45
3/4	19	30	17	51	54
1	25	36	13	39	68
1-1/4	32	43	10	30	94
1-1/2	38	49	8.6	25.8	112
2	51	62	6.3	18.9	144
2-1/2	62	75	5.5	16.5	181
3	76	88	4.7	14.1	232
4	102	114	3.1	9.3	367

Food Grade Silicone Hose

Food grade silicone hose is made with scientific production technology by batch method. Compared with traditional vulcanized DCBP silicone rubber, it has more advantages, such as high transparency, odorless, anti-yellow and anti-frosting, etc.



Material: Silicone (harmless, heat-resisting, cold-resisting).

Features

- High transparency, odorless.
- Good elasticity and no deformation.
- Perfect tearing strength and electronic performance.

Application

Food grade silicone hose is suitable for the small household appliances (coffee maker, pulp machines, water heaters, etc.) and electronic, automotive, medical products.

Specification - food grade silicone hose					
I.D		O.D	W.P	B.P	Min B.R
inch	mm	mm	bar	bar	mm
1/8	3	9	200	600	12.7
3/16	5	11	170	509	25.4
1/4	6	13.2	135	405	38.1
5/16	8	15	111	335	44.5
3/8	10	16	101	305	57.15
1/2	13	20.3	82	248	70
5/8	16	24.5	62	197	82.55
3/4	19	28	53	161	95.25
1	25	34.5	43	131	157
1-1/4	31	40.8	33	100	204

Medical Silicone Hose

Medical silicone hose is ideally suited for hospital applications where strength, durability, long-life and non-reactivity with bodily fluids and skin are of primary importance.

Temperature: -50 °C to +250 °C.



Features

- Made of high quality medical grade silicone rubber with supreme resilience, transparency.
- Various of length, diameter and color, they all can be produced by clients' requirements.
- Good chemical stability.
- Non-toxic and environmental protection.
- Non reactive to body tissue and fluid.
- Unaffected by most water soluble materials.

Application

Medical silicone tubing can be used for medical apparatus, food machinery, breathing machine, hemostatic machine, pharmaceuticals, hospital appliances and chemistry lab etc.

Specification - medical silicone hose

I.D		O.D	Thickness	B.P	Min B.R
inch	mm	mm	mm	bar	mm
1/4	6	16	5	39	60
5/16	8	18	5	36	66
3/8	10	20	5	33	73
1/2	13	23	5	31	80
5/8	16	26	5	28	97
3/4	19	29	5	25	111
7/8	22	32	5	24	127
1	25	35	5	22	144
1-1/2	38	485	5	17	236
2	51	61	5	14	356
3	76	88	6	9	666
3-1/2	90	102	6	8	886
4	102	114	6	6	1100

Silicone Braided Hose

This kind of silicone tubing is usually used in special environment with its high strength and pressure resistance. Silicone braided hoses are reinforced with polyester threads to make them highly strong and durable. Compared with common reinforced tubing, silicone braided hose processes some crucial features as follows.



Features

- Sanitary and environment protecting.
- Heat resisting, compression resisting.
- Good cracking resistance.
- Durable in use, high pressure resisting, antioxidant.

Application

Silicone braided hose is widely applied in laboratory, ultra pure liquid transmission, cell culture, peristaltic pump, food transmission, dairy products, cosmetics, veterinary drug, etc.

Specification - silicone braided hose						
I.D		O.D	Thickness	B.P	B.R	Weight
inch	mm	mm	mm	bar	mm	kg/m
1/8	3	8	2.5	70	30	55
1/4	6	12	3	56	45	105
5/16	8	16	4	46	55	160
3/8	10	18	4	42	70	190
1/2	13	23	5	34	85	300
5/8	16	26	5	30	95	370
1	25	38	6.5	18	160	740
1-1/4	31	46	7.5	15	200	1020

Note: The sizes above are just reference, we offer customization. Various colours are available.

PARTS

Hose Clamp - T-Bolt Clamp

T-bolt clamp is an essential auxiliary of silicone hoses installation. It is used as leak-proof connection to protect silicone hoses. It is widely applied in industrial, commercial, marine and military applications. Stainless steel T-bolt clamp is ideal for medium and heavy-duty applications.

Material: Stainless steel.



Specification - T-bolt clamp			
Inside Diameter		Effective Range	Width
mm	inch	mm	mm
25	1	32 - 37	19
28	1-1/8	35 - 40	19
30	1-3/16	38 - 43	19
35	1-3/8	41 - 46	19
38	1-1/2	44 - 51	19
41	1-5/8	48 - 56	19
45	1-3/4	51 - 59	19
48	1-7/8	54 - 62	19
51	2	57 - 65	19
54	2-1/8	60 - 68	19
57	2-1/4	63 - 71	19
60	2-3/4	67 - 75	19
70	2-3/4	76 - 84	19
76	3	83 - 91	19
80	3-1/8	86 - 94	19
86	3-1/4	89 - 97	19
89	3-1/2	95 - 103	19
95	3-3/4	102 - 110	19

Silicone Seal

Among all the rubber seals, silicone seal is simply the best. Silicone seal has superior property of aging resistance than other rubber products when exposed to the weather. It works very well in sealing while keeping performance unchanged even through thirty years in outdoor environment. In addition, silicone seal is diversified and stable in color. It does not fade in sunshine for 48 hours.



Application

It can be used in wide range of fields for its flexibility, durability, excellent sealing ability and varieties of shape, such as for cars, doors, ovens, electronic and electrical appliances, etc.



HEBEI QIANLI RUBBER PRODUCTS CO., LTD.

Add: West Side of Yafu Road, Jingxian County, Hengshui City, Hebei, China

Tel: +86-318-6668206

Fax: +86-318-6668207

E-mail: donson@hebeiqianli.com

Website: <http://www.silicone-tubing.org>